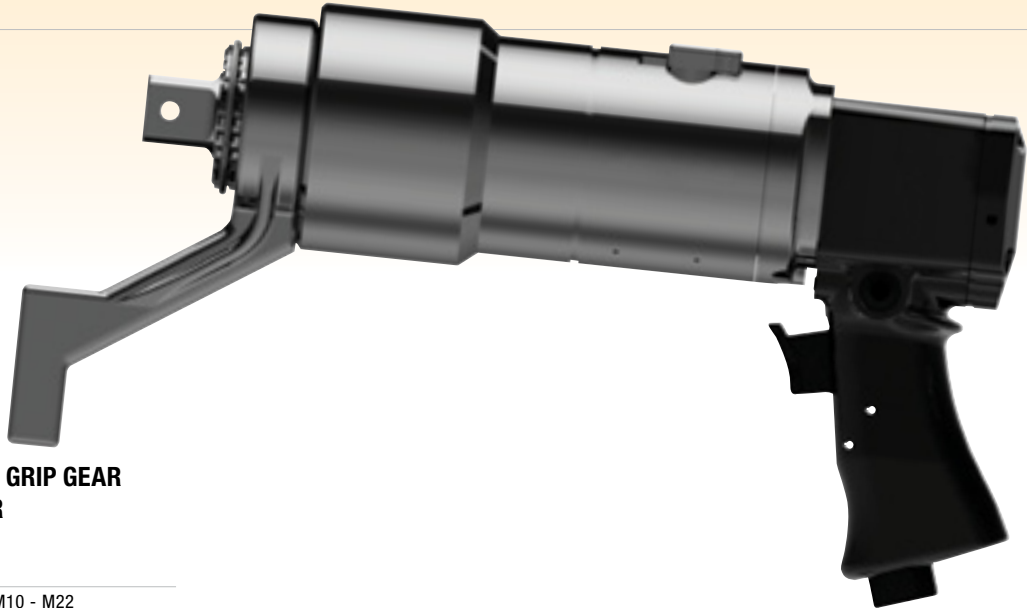


HIGH TORQUE NUTRUNNERS

PT-64008



3/4" SQ. DR. PISTOL GRIP GEAR DRIVE NUTRUNNER

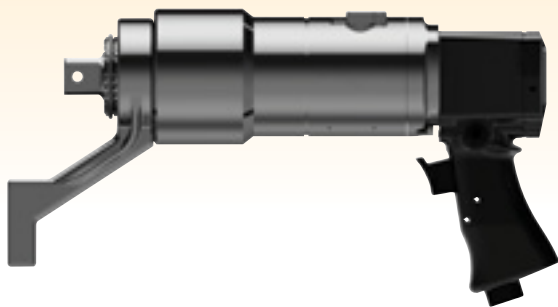
NON IMPACT

BOLT CAPACITY	M10 - M22
MAX. TORQUE	825Nm 627ft lb
AIR INLET	1/4" Gas
AIR HOSE REQ'D.	10mm 3/8" ID
AIR PRESSURE	6.3 Bar 90psi
LENGTH	360mm
WIDTH	82mm
WEIGHT	5.5kg

FEATURES

- High Torque Accuracy
- Minimum Vibration
- Light Weight
- Includes Reaction Bar

PT-64012

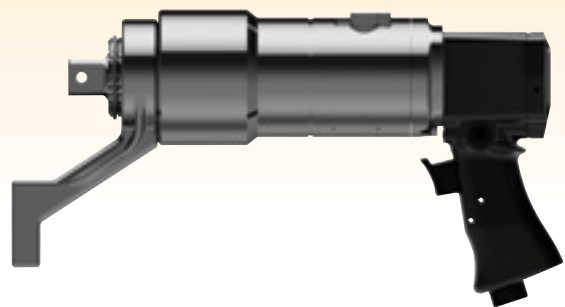


1" SQ. DR. PISTOL GRIP GEAR DRIVE NUTRUNNER

NON IMPACT

BOLT CAPACITY	M12 - M27
MAX. TORQUE	1250Nm 923ft lb
AIR INLET	1/4" Gas
AIR HOSE REQ'D.	10mm 3/8" ID
AIR PRESSURE	6.3 Bar 90psi
LENGTH	360mm
WIDTH	82mm
WEIGHT	5.9kg

PT-64017



1" SQ. DR. PISTOL GRIP GEAR DRIVE NUTRUNNER

NON IMPACT

BOLT CAPACITY	M14 - M33
MAX. TORQUE	1700Nm 1255ft lb
AIR INLET	1/4" Gas
AIR HOSE REQ'D.	10mm 3/8" ID
AIR PRESSURE	6.3 Bar 90psi
LENGTH	376mm
WIDTH	93mm
WEIGHT	6.5kg

Enquire about models to 12,000 Nm
Enquire about models with right angle drive

NOTE: Where "AVERAGE AIR CONSUMPTION" is given for tools in this Product Guide it indicates air usage over a typical duty cycle and not the size of air compressor required for maximum tool usage.