



**ALLIANCE**  
QUALITY AIR TOOLS & ACCESSORIES



# THE WARRIOR

**SUPER DUTY 1/2" SQUARE DRIVE IMPACT WRENCH**

ENGINEERED  
WITH  
**1112Nm**  
**820ft lb**  
OF MUSCLE



## Warrior 1

AL-2360  
Short Anvil



## Warrior 2

AL-2360-2  
2" Extended Anvil

Designed to do battle with unyielding nuts and bolts in tyre shops, suspension shops, muffler shops and workshops.

**Full service and spare parts backup**

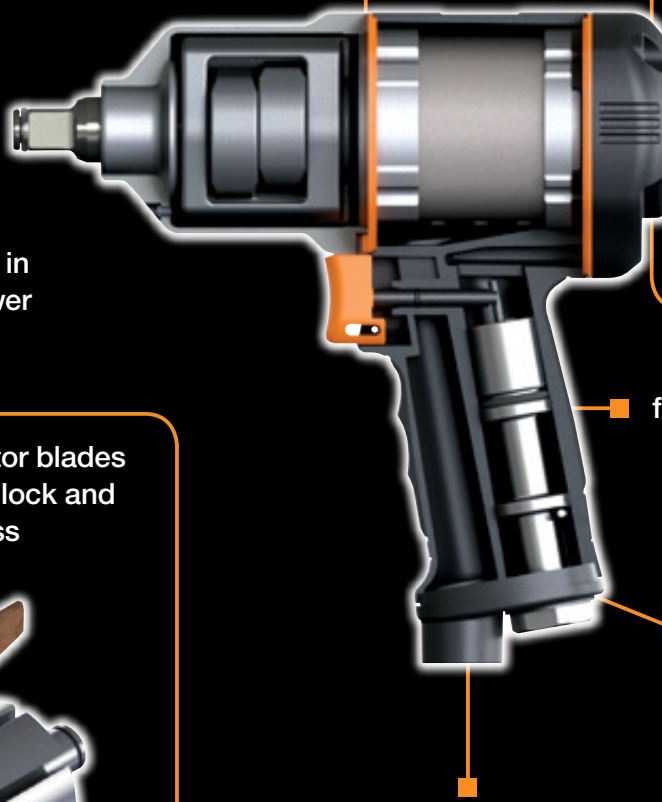
## FEATURES OF THE ALLIANCE WARRIOR IMPACT WRENCHES



3 power settings in forward. Full power in reverse

Hardened motor cylinder and end plates for greater durability

Twin hammer impact mechanism for maximum power. Hardened parts for maximum durability



Composite handle construction for optimum power-to-weight ratio and to eliminate hand-grip chill

Spring loaded rotor blades to prevent dead-lock and power loss



360 degree air inlet swivel to eliminate air hose twist

Threaded outlet for optional exhaust hose or additional screwed in silencer



### Specifications

	AL-2360	AL-2360-2
Maximum Torque	1112Nm 820ft lb	1053Nm 780ft lb
Length	190mm	240mm
Weight	2.1kg	2.3kg
Av. Air Consumption	189.7L/min 6.7cfm	189.7L/min 6.7cfm

Your Local Distributor